

KS 800
Multi-Temperature Controller

KS 8000

CANopen

KS

Interface protocoll

CANopen

9499 040 49511

gültig ab: 8389

©PMA Prozeß- und Maschinen-Automation GmbH. Printed in Germany
All rights reserved. No part of this document may be
reproduced or published in any form or by any means without prior written permission
by the copyright owner.

A publication of PMA Prozeß- und Maschinen-Automation GmbH

Subject to change without notice.

PMA Prozeß- und Maschinen-Automation GmbH
P.O. Box 31 02 29
D 34058 Kassel
Germany

Restriction to warranty:

No warranty for the perfect correctness of the contents is taken, since errors cannot be avoided completely despite utmost care. User feedback is always appreciated.

Contents

1	Introduction	5
2	Service data objects	7
3	Process data objects	9
	3.1 Information Record (send PDO from KS800):	10
	3.2 Control Record (KS800 receive PDO):	11
	3.3 PDO transfer behaviour	12
	3.3.1 Asynchronous send PDO	12
	3.3.2 Synchronous send PDO	13
	3.3.3 Asynchronous receive PDO	13
	3.3.4 Synchronous receive PDO	14
4	OP mode / pre-OP mode	15
5	SYNC	16
6	Nodeguarding / Lifeguarding	17
7	LMT services	18
	7.1 Switch Mode Services	18
	7.1.1 Switch Mode Global	18
	7.1.2 Switch Mode Selective	18
	7.2 Configuration Services	19
	7.2.1 Configure Module ID	19
	7.2.2 Configure Bit Timing	19
	7.3 Inquire LMT Address	20
	7.3.1 Inquire Manufacturer Name	20
	7.3.2 Inquire Product Name	20
	7.3.3 Inquire Serial Number	21
	7.3.4 Serial Number Format	21
	7.4 Identification Services	21
	7.4.1 LMT Identify Remote Slaves	21
	7.4.2 LMT Identify Slave	22
	7.5 Manufacturer-specific LMT services	22
	7.6 Inquire Node-ID	22
	7.6.1 Configure Module-ID	23
	7.6.2 Configure Bit Timing	23
	7.6.3 Inquire Bit Timing	24
8	Object directory	25
	8.1 Survey of object directory - manufacturer-specific section	25
9	Configuration and parameter setting via the CAN bus	36
	9.1 Configuring KS 800 via CAN bus interface	36
	9.1.1 Saving the non-volatile set-point	36
	9.2 Data plausibility check during transmission	37
	9.3 Table of allocation of firmware version, operating version, series number and engineering tool	37
	9.4 Order of data for configuration and parameter setting	38

10	Application example	40
10.1	KS800 standard settings	40
10.2	Adjusting a heating/cooling controller	40
10.3	Adjusting a H/C controller and activating the self-tuning	41
11	CAN Physical Layer	43
11.1	ISO 11898-2 nodes:	43
11.2	Bit rates and bus lengths:	44
11.3	Practical bus lengths	44
11.4	Cable parameters	45

1 Introduction

Controller KS800 is provided with a CAN interface, via which all data (parameter and configuration data) required for operation can be sent to the controller. A master (PC or PLC) can also read all process data via this interface.

According to "CANopen", the accesses are grouped into SDOs (Service Data Objects) and PDOs (Process Data Objects). SDOs are provided for configuration and parameter setting of bus units and PDOs are provided for the normal operating values.

KS800 operation at the CAN bus:

After KS800 start-up, the unit is in the "Pre Operational Mode". Communication via the CAN interface is possible by means of SDOs. After bus and controller configuration, the master must put KS800 to "Operational Mode" (NMT Start), in which using PDOs is also possible. How to use PDOs must be configured in advance. There are "asynchronous" and "synchronous PDOs". Asynchronous PDOs are sent with status changes such as out-of-tolerance band, sensor break or similar events. Synchronous PDOs are sent on request by the master. For this purpose, the master sends a SYNC frame. In the KS800 default setting, asynchronous PDOs are enabled (for details, see Process-Data-Objects).

Implemented in KS800 are based on the "CANopen Communication Profile for Industrial Systems" (CiA Draft Standard 301). The functionality corresponds to the "Minimum The communication services Capability Device" with "Predefined Master/Slave Connection Set", completed by "LMT-services", however, without "Time Stamp" and "Store Parameter" objects.

Type	Address (dec.)	Address (hex.)
NMT_Commands	0	0x0
SYNC	128	0x80
LMT-RX	2021	0x7E5
LMT-TX	2020	0x7E4
EMERGENCY	128 + NodeID *)	0x80 + NodeID *)
PDO1-TX	384 + NodeID *)	0x180 + NodeID *)
PDO1-RX	512 + NodeID *)	0x200 + NodeID *)
PDO2-TX	640 + NodeID *)	0x280 + NodeID *)
PDO2-RX	768 + NodeID *)	0x300 + NodeID *)
SDO-TX	1408 + NodeID *)	0x580 + NodeID *)
SDO-RX	1536 + NodeID *)	0x600 + NodeID *)
NODE_GUARD	1769 + NodeID *)	0x6E0 + NodeID *) **)

*) NodeID range within 1 ...127

**)KS 800 default does not correspond to 301-standard

Network management:

For communication monitoring, KS800 offers the possibility of "nodeguarding", which enables the master to detect whether a KS800 is connected to the bus and whether the communication to the controller is ensured.

Adjusting the node ID (node address) and CAN-baudrate required for identification of a CAN unit is done using the KS800 Engineering Tool via the diagnosis interface.

Adjusting via CAN-Bus is also possible (see chapter 7).

2 Service data objects

An SDO is logically determined to exactly two partners - 1 master and 1 slave. Simultaneous access to the KS800 by two different masters is not possible, since only one SDO channel is available for "tx" and for "rx".

Max. 4 bytes of usable data can be transmitted by means of SDOs. The remaining 4 bytes are used as follows:

- 1 byte for the command: transmission mode
- 2 bytes for the index: object identification
(e.g. 0x2213 for Wvol - see object directory)
- 1 byte for the subindex: channel number

An example of an SDO data frame for reading and for writing is given below.

Example 1. A master sends a set-point to a KS800 with node address 4:

The message structure is as follows:

- ⇒ COB_ID = SDO at node 4 = 0x600 + 4 = 0x604
- ⇒ CMD = write access = 0x2B = 0x2B
- ⇒ INDEX = set-point = 0x2213 = 0x2213
- ⇒ SUBINDEX = e.g. controller 1 = 01 = 0x01
- ⇒ WERT = 30,0°C *) = 300 *) = 0x12C

*) Fixedpoint1: 1 fixed digit behind the decimal point.

		8 data bytes							
	COB-ID	LEN	Cmd	Index	Sub.	Data			
<u>Enquiry:</u> <u>(Master)</u>	0x604	0x08	0x2B	0x13 0x22	0x01	0x2C	0x02	0x00	0x00
<u>Reply:</u> <u>(KS800)</u>	0x584	0x08	0x60	0x13 0x22	0x01	0x00	0x00	0x00	0x00

Example 2. A master reads a process value from a KS800 with node address 2:

The message structure is as follows:

⇒ COB_ID = SDO at node 2 = $0x600 + 2$ = 0x602
⇒ CMD = read access = 0x40 = 0x40
⇒ INDEX = process value = 0x2202 = 0x2202
⇒ SUBINDEX = e.g. controller 3 = 03 = 0x03

8 data bytes

	COB-ID	LEN	Cmd	Index	Sub.	Data			
<u>Enquiry:</u> <u>(Master)</u>	0x602	0x08	0x40	0x02 0x22	0x03	0x00	0x00	0x00	0x00
<u>Reply:</u> <u>(KS800)</u>	0x582	0x08	0x4B	0x02 0x22	0x03	0xFA	0x00	0x00	0x00

⇒ WERT = 0x00FA = 250 = 25,0°C

By means of the SDOs, controller configuration and parameter setting can be adjusted via individual accesses to all parameters (see object directory). However, addressing of all operating data, which are normally transmitted via PDOs, can also be done via SDOs.

3 Process data objects

Max. 4 bytes of usable data can be transmitted between two partners by means of SDOs. The remaining 4 bytes are used for the command, the index and the subindex. With one PDO, however, max. 8 bytes of usable data can be transmitted. Two send and two receive PDOs, which can be defined as "synchronous PDOs" or as "asynchronous PDOs" via configuration, are supported by KS800. For instance, the data transfer via the PDOs is purposeful, when controller process values and status values must be sent to the master dependent of e.g. error messages (change-of-state). In this case, asynchronous PDOs, which will be sent to the master automatically when the event occurs on the controller are used. Another example would be cyclic enquiry of process values by an operating unit. In this case, KS800 can send PDOs by synchronization with a clock frequency (SYNC-EVENT).

As opposed to SDOs, PDOs are always **non-acknowledged** services. They can be received by several units. As already mentioned above, this does not apply to SDOs.

In the KS800 default configuration, one asynchronous send and receive PDO with the following identifiers are enabled:

COB-ID of the asynchronous receive PDO: 0x200 + node ID
 COB-ID of the asynchronous send PDO: 0x180 + node ID

PDO reconfiguration is possible by means of SDO accesses to the following indexes:

		default	default COB-ID
Index 1400:	first receive PDO	sync./disabled	300
Index 1401:	second receive PDO	async./enabled	200
Index 1800:	first send PDO	sync./disabled	280
Index 1801:	second send PDO	async./enabled	180

Configuration of the message identifier (COB-ID) as well as PDO enabling and disabling are done under subindex 1.

COB-ID (low byte) data[1]
 COB-ID (high byte) data[2]
 Enable data[4] (0x00 = enabled, 0x80 = disabled)

Transfer type configuration is under subindex 2.

Transfer type data[1] (0x01...0x0F = synch, 0xFF = async)

The PDO data contents are described in the following section.

3.1 Information Record (send PDO from KS800):

The structure of the Information Record is:

Index	Subindex	Field	Data Type
42	0	number of supported entries in the record	unsigned8
	1	channel number	unsigned8
	2	Xeff	FixedPoint1
	3	device status information	unsigned8
	4	channel status information	unsigned16
	5	Ypid	FixedPoint1

In detail, a send PDO from KS800 contains the following data:

- channel → data[0]
- Xeff → data[1, 2]

low byte → data[1]
high byte → data[2]

Controller status information → data[3]

- Bit 0^{*)} - offline[0], online [1]
- Bit 1^{*)} - DO1...12 fail
- Bit 2^{*)} - DO13...16 fail
- Bit 3^{*)} - heating current short circuit is configured
- Bit 4^{*)} - } "Input state" signalling,
- Bit 5^{*)} - } as an input, otherwise "0".
- Bit 6^{*)} - }
- Bit 7^{*)} - } Does not generate an asynchronous PDo trigger!

- Channel status information (bit=1 in case of alarm): data[4, 5]

- Bit 0^{*)} - HH alarm → data[4]
- Bit 1^{*)} - H alarm
- Bit 2^{*)} - L alarm
- Bit 3^{*)} - LL alarm
- Bit 4^{*)} - Sensor fail alarm
- Bit 5^{*)} - Heating current alarm
- Bit 6^{*)} - Leakage current alarm
- Bit 7^{*)} - DO_x alarm
- Bit 8^{*)} - W2 active → data[5]
- Bit 9^{*)} - Wint active
- Bit 10^{*)} - Wanfahr active
- Bit 11^{*)} - Self-tuning active
- Bit 12^{*)} - Self-tuning error
- Bit 13^{*)} - Controller A/M
- Bit 14^{*)} - Controller switched off (coff)

- Ypid: data [6, 7]
low Byte ^{*)} - data [6]
high Byte ^{*)} - data [7]

^{*)} A change generates an asynchronous PDO event.

3.2 Control Record (KS800 receive PDO):

The structure of the Control Record is:

Index	Subindex	Field	Data Type
43	0	number of supported entries in the record	unsigned8
	1	channel number	unsigned8
	2	Wvol (set point)	FixedPoint1
	3	Yman (manual controller output)	FixedPoint1
	4	control byte	unsigned8
	5	update byte	unsigned8

I.e the following data in detail can be received via receive PDOs:

- channel → data[0]
- Wvol (set-point) → data[1, 2]
 - low byte → data[1]
 - high byte → data[2]
- Yman (controller output value) → data[3, 4]
 - low byte → data[3]
 - high byte → data[4]
- control information: → data[5]
 - Bit 0 - A[0] / M [0/1]
 - Bit 1 - COFF [1]
 - Bit 2 - W/W2 [0/1]
 - Bit 3 - Wext/Wint [0/1]
 - Bit 4 - Ostart [1]
- update information: → data[6]
 - Bit 0 - A/M [0/1]
 - Bit 1 - COFF [1]
 - Bit 2 - W/W2 [0/1]
 - Bit 3 - Wext/Wint [0/1]
 - Bit 4 - Ostart [1]
 - Bit 6 - Yman [1]
 - Bit 7 - Wvol [1]

The update information permits selection which data from the control record are taken over by KS800. If one of the bits is set, the relevant data on the KS800 are updated.

3.3 PDO transfer behaviour

3.3.1 Asynchronous send PDO

When a PDO is configured as an asynchronous PDO, a PDO is sent with status-information- resp. Ypid- changes of a channel. The message order is: checking whether sending is necessary starts with the first channel. If a change-of-state is detected (flag fSendEvent set), a PDO is generated, sent and the flag is reset. After successful sending, the next channel is handled. If the two send PDOs are configured as asynchronous PDOs, two channels are checked and sent simultaneously.

Example:

Channel 1: fSendEvent = TRUE
 → send PDO for channel 1
 Channel 2: fSendEvent = FALSE
 Channel 3: fSendEvent = TRUE
 → send PDO for channel 3
 Channel 4: fSendEvent = FALSE
 Channel 5: fSendEvent = FALSE
 Channel 6: fSendEvent = FALSE
 Channel 7: fSendEvent = TRUE
 → send PDO for channel 7
 Channel 8: fSendEvent = FALSE
 Channel 1: fSendEvent = FALSE

An asynchronous PDO is always sent by KS800 with status bit change-of-state or changing of Ypid. In default configuration, the message sent by KS800 is:

Message from KS800 (ASYNC-PDO):

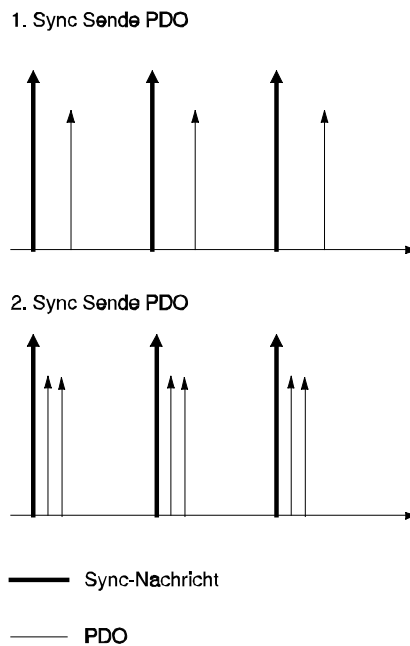
COB-ID	8 data bytes					
	LEN	Channel	Xeff	Dev. st.	Channel st.	Ypid
0x180 +node	8	0x05	0xBC 0x02	0x00	0x00 0x42	0xF4 0x01

- ⇒ Xeff = 0x02BC = 700 = 70,0°C
- ⇒ Device Status = 0x00 = keine Fehler
- ⇒ Channel Status = 0x4200 = Coff = 1, Wint = 1
- ⇒ Ypid = 0x01F4 = 500 = 50%

3.3.2 Synchronous send PDO

The master sends SYNC pulses for actual process value refreshment. The number of Sync messages after which must react can be configured by the master. The default setting is "1". (see Transfer-Type, chapter 3 Process-Data-Objekts)

During synchronous operation, a channel starting with the first one is sent after each Sync message (if transfer-type = 1). Subsequently, all further channels are sent successively. After the last channel, a new cycle is started at the first one. If the two send PDOs are configured as synchronous PDOs, two channels are transmitted simultaneously. The following diagram explains the interactions of Sync message and PDOs.



3.3.3 Asynchronous receive PDO

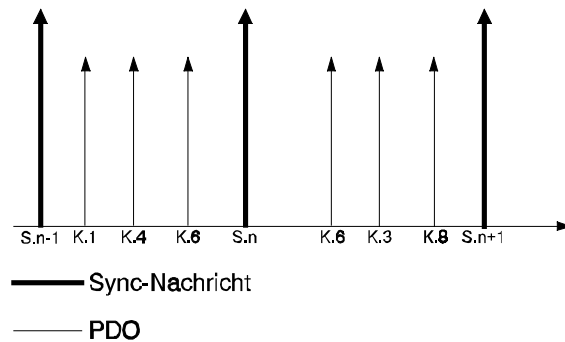
When an asynchronous PDO is received, the contained data are passed on to the controller module with the next communication -modul-cyclus. The data are written into the buffer according to channel number. Thereby, the fReceived flag is set. This signals that new data for the controller are ready for receiving. The fReceived flag is reset by the controller.

Caution: When passing new data to the controller, the communication module does not check, if the controller has already taken over the data received last. (Scanning rate must be taken into account.) i.e. PDOs can be overwritten, earlier information will be lost.

3.3.4 Synchronous receive PDO

When receiving a synchronous PDO, the data remain in the Rx buffer at first (CAN-controller) without being transmitted to the controller. For this, the received flag for the relevant channel is set. This signals that new data for the controller are ready for receiving. The fReceived flag is reset by the controller. The interaction of Sync message and synchronous PDOs is shown in the following diagram.

Caution: When receiving another synchronous PDO before the next Sync message, the PDO received last is transmitted to the controller. i.e. PDOs can be overwritten, earlier information will be lost.



Explanation of the diagram:

- At time S.n, the data of PDOs which were received between S.n-1 and S.n are passed on to the controller. These are the data for channel 1, 4 and 6.
- At time S.n+1, the data of PDOs which were received between S.n and S.n+1 are passed on to the controller. These are the PDOs for channel 3, 6 and 8.

4 OP mode / pre-OP mode

After starting the CAN network, controller KS800 is in the pre-OP mode. I.e. it can be addressed only via SDOs. When setting KS800 to the OP mode, communication via the enabled PDOs is also possible. The asynchronous PDOs are enabled after start-up. If necessary, the synchronous PDOs must be enabled via SDO messages.

Setting KS800 to OP mode:

		2 data bytes	
COB-ID	LEN	Command	Node
0x00	2	0x01	<Number> *)

When selecting node address "0", all controllers in the network are set to the OP mode. The controllers do not send a reply to this message.

Setting KS800 to pre-OP mode:

		2 data bytes	
COB-ID	LEN	Command	Node
0x00	2	0x80	<Number> *)

When selecting node address "0", all controllers in the network are set to the pre-OP mode. The controllers do not send a reply to this message.

Further NMT (Network-Management) - Commands:

Reset Node:

		2 data bytes	
COB-ID	LEN	Command	Node
0x00	2	0x81	<Number> *)

Reset Communication:

		2 data bytes	
COB-ID	LEN	Command	Node
0x00	2	0x82	<Number> *)

*) NodeID-range within 1 ...127

Caution: Reset mode leads to a KS 800 reset, i.e. the controller will be accessible via CAN-bus again only after several seconds. All Command-Parameters are set to the default values.

5 SYNC

As described above, synchronous PDO data must be read from or written to KS 800 by means of SYNC pulses. The relevant KS800 controllers must be in OP mode and the SYNC-PDOs must be enabled via SDO. For this, object "0x1800" must be set to value "0x280+nodes".

A SYNC message is a "broadcast" (message to all units in the network) which is activated by the master as follows:

		0 data bytes	
COB-ID	LEN		
0x80	2		

Reply from KS800:

e.g. following PDO

		8 data bytes				
COB-ID	LEN	Channel	Xeff	Dev. st.	Channel st.	Ypid
0x80 +node	8	0x05	0x2BC 0x02	0x00	0x00 0x42	0xF4 0x01

- ⇒ Xeff = 0x0BC = 700 = 700°C
- ⇒ Device Status = 0x00 = kein Fehler
- ⇒ Channel Status = 0x4200 = Coff = 1, Wint = 1
- ⇒ Ypid = 0x01F4 = 500 = 50%

After a new SYNC by the master, the data of the next channel, i.e. channel 6 in this case, are transmitted, etc. After transmission of the eighth channel, restart is at channel 1. With several KS800 units in a network, the data of the relevant channel are sent by each controller per SYNC event. (max. 2 channels, if 2 synchronous PD=s are configured)

*) The COB-ID default value of 0x80 can be changed with object 1005.

6 Nodeguarding / Lifeguarding

"Nodeguarding" can be used by a master for testing cyclically, if the relevant slave (KS800) is still in the network.

The "guard time * life time" can be used to determine at which intervals the master must activate the nodeguard message (timeout for the master).

With a "guard time * life time" = "0", no timeout for the master is determined, i.e. the master need not use a fixed time interval. If a "guard time * life time" is defined and data are not read from KS800 at this interval, KS800 may return from the OP-mode to the pre-OP mode. In this case, no PDOs can be transmitted any more.

Generally, KS800 replies to a "nodeguard" by "toggling" the most significant bit:

Node-Guarding Identifier → Objekt 100E Default: 6E0 + node ID

In OP-mode, KS800 replies: 0x05 → 0x85 → 0x05 → 0x85 → ...

In pre-OP mode, KS800 replies: 0x7F → 0xFF → 0x7F → 0xFF → ...

Nodeguard message (RTR):

		0 data bytes	
COB-ID	LEN		
0x6E0 + node	0		

Reply from KS800 (pre-OP mode):

		1 data bytes	
COB-ID	LEN	Answer	
0x6E0 +node	1	0x7F	
0x6E0 +node	1	0x7F	
0x6E0 +node	1	0x7F	

Reply from KS800 (OP mode):

		1 data bytes	
COB-ID	LEN	Answer	
0x6E0 +node	1	0x05	
0x6E0 +node	1	0x05	
0x6E0 +Node	1	0x05	

Notes: The default value for the node guarding identifier remains 0x6E0+ node-ID (not compatible with DS301 version 3.0, but downward-compatible). The value can be read and changed via object 0x100E.

7 LMT services (CMS standard and extensions)

The LMT services according to CiA/DS205 version 1.1 are available. Restrictions, or special extensions are given in the following service descriptions. The relevant COB IDs are 2021 (master ⇒ slave), or 2020 (slave ⇒ master), whereby KS800 is slave.

7.1 Switch Mode Services

7.1.1 Switch Mode Global

M ⇒ S

0	1	2	3	4	5	6	7
cs = 04	mode	r	r	r	r	r	r

cs LMT command specifier
mode 0: switches to operation mode
 1: switches to configuration mode
r reserved

7.1.2 Switch Mode Selective

M ⇒ S

0	1	2	3	4	5	6	7
cs = 01	m1	m2	m3	m4	m5	m6	m7

0	1	2	3	4	5	6	7
cs = 02	p1	p2	p3	p4	p5	p6	p7

0	1	2	3	4	5	6	7
cs = 02	s1	s2	s3	s4	s5	s6	s7

cs LMT command specifier
m1..7 manufacturer name part of LMT address
p1..7 product name part of LMT address
s1..7 serial number part of LMT address

7.2 Configuration Services

Configure NMT Address comprises services Configure Module ID and Configure Module Name. Service Configure Module Name is not supported. A relevant request provides error code: 255 and specific_error_code: 01 (service not supported).

7.2.1 Configure Module ID

M ⇒ S

0	1	2	3	4	5	6	7
cs = 17	Mld	r	r	r	r	r	r

S ⇒ M

0	1	2	3	4	5	6	7
cs = 17	error code	spec error	r	r	r	r	r

cs LMT command specifier
Mld new module_id to be configured
error_code 0: successful
1..254: reserved
255: implementation specific error
specific_error only valid if error_code equal to 255
3: Mld out of range
4: command execution error
r reserved

7.2.2 Configure Bit Timing

M ⇒ S

0	1	2	3	4	5	6	7
cs = 19	table selector	table index	r	r	r	r	r

S ⇒ M

0	1	2	3	4	5	6	7
cs = 19	error code	spec error	r	r	r	r	r

cs LMT command specifier
table_selector 0: standard CiA bit timing table
table_index 0: 1 Mbit
1: 800 kbit
2: 500 kbit
3: 250 kbit
4: 125 kbit
5: 50 kbit
6: 20 kbit
7: 10 kbit
error_code 0: successful
1: bit timing not supported
2..254: reserved
255: implementation specific error
specific_error only valid if error_code equal to 255
3: value out of range
4: command execution error
r reserved

Service *Activate Bit Timing* is not supported (unconfirmed service !), activation is via a reset (see address/BR-switch for the 3 reset possibilities).

Service *Store Configuration* is not supported. A relevant request provides error_code: 01 (service not supported).

7.3 Inquire LMT Address

Inquire LMT address comprises the following 3 services:

7.3.1 Inquire Manufacturer Name

M ⇒ S

0	1	2	3	4	5	6	7
cs = 36	r	r	r	r	r	r	r

S ⇒ M

0	1	2	3	4	5	6	7
cs = 36	m1	m2	m3	m4	m5	m6	m7

cs LMT command specifier
m1..m7 manufacturer name of the module (if m1 is a valid alpha-num character).
 If m1 is 255, m2 contains error_code and m3 optional error reason.
 (provides the "company name" (PMA))

7.3.2 Inquire Product Name

M ⇒ S

0	1	2	3	4	5	6	7
cs = 37	r	r	r	r	r	r	r

S ⇒ M

0	1	2	3	4	5	6	7
cs = 37	p1	p2	p3	p4	p5	p6	p7

cs LMT command specifier
p1..p7 product name of the module (if p1 is a valid alpha-num character).
 If p1 is 255, p2 contains error_code and p3 optional error reason.
 (provides the "system name" (Popen))
r reserved

7.3.3 Inquire Serial Number

M ⇒ S

0	1	2	3	4	5	6	7
cs = 38	r	r	r	r	r	r	r

S ⇒ M

0	1	2	3	4	5	6	7
cs = 38	s1	s2	s3	s4	s5	s6	s7

cs LMT command specifier
s1..s7 serial number of the module (if s1 is a valid BCD-pair).
 If s1 is 255, s2 contains error_code and s3 optional error reason.
 (provides the instrument code number)
r reserved

7.3.4 Serial Number Format (14 BCD-digit ⇒ 7 byte)

0	1	2	3	4	5	6	7	8	9	10	11	12	13
0	0	m1	m2	m3	m4	c1	c2	c3	c4	c5	c6	c7	c8

m1..m4 FabMonth, month of production in coded form
c1..c8 FabCount, "unique" count number, must be defined only once

7.4 Identification Services

7.4.1 LMT Identify Remote Slaves

M ⇒ S

0	1	2	3	4	5	6	7
cs = 05			manu- fact.	name			

M ⇒ S

0	1	2	3	4	5	6	7
cs = 06			product	name			

M ⇒ S

0	1	2	3	4	5	6	7
cs = 07		serial	number	low			

M ⇒ S

0	1	2	3	4	5	6	7
cs = 08		serial	number	high			

cs LMT command specifier
manufact._name manufacturer name part of LMT address
product_name product name part
serial_number_low lower boundary of requested range
serial_number_high higher boundary
 ("boundaries" are contained in the interval)

7.4.2 LMT Identify Slave

S ⇒ M

0	1	2	3	4	5	6	7
cs = 09	r	r	r	r	r	r	r

cs LMT command specifier
r reserved

Notes: With several instruments connected to the bus, there may be problems, especially frame loss! (due to the number of simultaneously replying units with identical frames)

7.5 Manufacturer-specific LMT services

Service *Activate Bit Timing* (cs = 131) is not supported (see also **Std.** service with the same name).

7.6 Inquire Node-ID

M ⇒ S

0	1	2	3	4	5	6	7
cs = 128	CAN	r	r	r	r	r	r

S ⇒ M

0	1	2	3	4	5	6	7
cs = 128	error code	spec error	Node ID	r	r	r	r

cs LMT command specifier
CAN number of CAN-controller (must be 0)
error_code 0: successful
 1..254: reserved
 255: implementation specific error
specific_error only valid if error_code equal 255
 6: illegal CAN-controller selected
Node ID module Node ID

7.6.1 Configure Module-ID

M ⇒ S

0	1	2	3	4	5	6	7
cs = 129	Mld	CAN	r	r	r	r	r

S ⇒ M

0	1	2	3	4	5	6	7
cs = 129	error code	spec error	r	r	r	r	r

cs LMT command specifier
 CAN number of CAN-controller (must be 0)
 Mid new module_id to be configured
 error_code 0: successful
 1..254: reserved
 255: implementation specific error
 specific_error only valid if error_code equal to 255
 3: Mid out of range
 4: command execution error
 6: illegal CAN-controller selected
 r reserved

7.6.2 Configure Bit Timing

M ⇒ S

0	1	2	3	4	5	6	7
cs = 130	table selector	table index	CAN	r	r	r	r

S ⇒ M

0	1	2	3	4	5	6	7
cs = 130	error code	spec error	r	r	r	r	r

cs LMT command specifier
 CAN number of CAN-controller (must be 0)
 table_selector 0: standard CiA bit timing table
 table_index 0: 1 Mbit
 1: 500 kbit
 2: 250 kbit
 3: 125 kbit
 4: -
 5: 50 kbit
 6: 20 kbit
 7: 10 kbit
 8: 800 kbit
 error_code 0: successful
 1: bit timing not supported
 2..254: reserved
 255: implementation specific error
 specific_error only valid if error_code equal to 255
 3: value out of range
 4: command execution error
 6: illegal CAN-controller selected
 r reserved

7.6.3 Inquire Bit Timing

M ⇒ S

0	1	2	3	4	5	6	7
cs = 132	r	r	r	r	r	r	r

S ⇒ M

0	1	2	3	4	5	6	7
cs = 132	error code	spec error	table selector	table index	CAN	BTR0	BTR1

- cs LMT command specifier
- CAN number of CAN-controller (always 0)
- BTR0/BTR1 bit timing register 0 and 1 of CAN-controller
- table_selector standard CiA bit timing table (always 0)
- table_index 0: 1 Mbit
- 1: 500 kbit
- 2: 250 kbit
- 3: 125 kbit
- 4: -
- 5: 50 kbit
- 6: 20 kbit
- 7: 10 kbit
- 8: 800 kbit
- error_code 0: successful
- 1: bit timing not supported
- 2..254: reserved
- 255: implementation specific error
- specific_error only valid if error_code equal to 255
- r reserved

8 Object directory

The manufacturer-specific, list-oriented entries in the object directory are explained below.

8.1 Survey of object directory - manufacturer-specific section

Note: The overall object directory is designed dually (from index 2001; from index 3001) to permit equal objects with different data types.

Index table structure:

The index is a 4-digit number in hexadecimal notation with the following structure.

MSB		LSB	
Format	Function block	Function	Parameter no.
2=Fixed Point Format 3=Float Format	0=Device 1=Input 2=Controller 3=Alarm	current number	current number

Configuration mode:

Configuration changes such as output allocations or span end values are not taken over on-line. For changing these parameters, KS800 must be switched to configuration mode. Mode switch-over is via SDO access.

Index 2008 (OPMod): value = 0 configuration mode
 value = 1 normal mode

For changing data identified with rw*) in the object directory, OPMod must be set to 0. The new parameters are taken over when changing the OPMod back from 0 -> 1 subsequently.

Used data-formats:

Unsigned8: 8-bit-value, without sign, range 0 ... 256

Unsigned16: 16-bit-value, without sign, range 0 ... 65535

Fixedpoint1: 16 bit-integer-value with 1 fixed digit behind the decimal point, within -32767 ... +32767. When interpreting these values, the last digit is considered as a digit behind the decimal point, e.g. 12345 means 1234,5 (°C), or 873 are 87,3 (%).

KS 800 CAN-Interface

Column "as from firmware": C = This datum exists already from operating version 1, however, it was subject to change (extension) in the course of development.
N = This datum was added as from the specified operating version.

Index (hex)	Object (symbolic name)	Name	Type	Attribute	as from firmware
FB unit					
<i>Process data fct.no.0</i>					
2001	VAR	Status 1Unit-State1	Unsigned8	ro	1.0
2002	VAR	Basic hardware options HWbas	Unsigned16	ro	1.0
2003	VAR	SW options SWopt	Unsigned16	ro	1.0
2004	VAR	SW code no. SWCode	Unsigned16	ro	1.0
2005	VAR	SW version SWVersion	Unsigned16	ro	1.0
2006	VAR	Operating version OPVers	Unsigned16	ro	1.0
2007	VAR	EEPROM version EEPVers	Unsigned16	ro	1.0
2008	VAR	Configuration mode selection OPMod	Unsigned8	rw	1.0
2009	VAR	Self-tuning stop/start of all group controllers OStartg	Unsigned8	rw	1.0
200A	VAR	Local data change flag reset	Unsigned8	rw	1.0
<i>Parameter and configuration data fct. no. 0</i>					
200B	VAR	Baudrate COM 1 C900	Unsigned16	rw*	1.0
200C	VAR	Controller address Adr1	Unsigned16	rw*	1.0
200D	VAR	Mains frequency 50/60	Unsigned8	rw*	1.0C
200E	VAR	Baudrate COM 2 C900 (CAN baudrate)	Unsigned16	rw*	1.0
200F	VAR	Controller address Adr2 (CAN Node ID)	Unsigned16	rw*	1.0
2010	VAR	Releasing the cooling function for Water Cooling	FixedPoint1	rw*	2.0
2011	VAR	Heating-current reset / quicktest	Unsigned8	rw	4.0
<i>Process data Fct. no. 2</i>					
2020	VAR	Status alarm outputs State_alarm_out	Unsigned8	ro	1.0
2021	VAR	Status dig. inputs/outputs State_dio	Unsigned8	ro	1.0
<i>Parameter and configuration data fct.no. 2</i>					
2022	VAR	Main config. C500	Unsigned16	rw*	1.0
2023	VAR	Main config. C530	Unsigned16	rw*	1.0
2024	VAR	Allocation HC/leakage current C151	Unsigned16	rw*	1.0C
2025	VAR	Heating current cycle Hccycl	Unsigned16	rw*	1.0
2026	VAR	Span end for HC input HC 100	FixedPoint1	rw*	1.0

2027	VAR	Forced dig. output OUT1...OUT8	Unsigned8	rw [*]	2.1
2028	VAR	Forced dig. output OUT9...OUT16	Unsigned8	rw [*]	2.1
2029	VAR	Forced dig. output OUT17...OUT19	Unsigned8	rw [*]	see name
FB input					
<i>Process data fct. no. 0</i>					
2100	ARRAY	Signal input fail Input_X_Failed	Unsigned8	ro	1.0
2101	ARRAY	Main variable x1	FixedPoint1	ro	1.0
2102	ARRAY	Raw measurement value before meas.val.corr. INP1	FixedPoint1	ro	1.0
<i>Parameter and configuration data fct. no. 1</i>					
2110	ARRAY	Measurement value correction X1 input X1in	FixedPoint1	rw	1.0
2111	ARRAY	Measurement value correction X1 output X1out	FixedPoint1	rw	1.0
2112	ARRAY	Measurement value correction X2 X2in	FixedPoint1	rw	1.0
2113	ARRAY	Measurement value correction X2 X2out	FixedPoint1	rw	1.0
2114	ARRAY	Sensor type (T,H) C200	Unsigned16	rw [*]	1.0
2115	ARRAY	Fail: sensor break (T) C205	Unsigned16	rw [*]	1.0
2116	ARRAY	Phys. value at 0% X0	FixedPoint1	rw [*]	1.0
2117	ARRAY	Phys. value at 100% X100	FixedPoint1	rw [*]	1.0
2118	ARRAY	Substitute value at sensor fail XFail	FixedPoint1	rw [*]	1.0
2119	ARRAY	Filter time const. meas. value processing Tfm	FixedPoint1	rw [*]	1.0
211A	ARRAY	Reference temperature Tkref	FixedPoint1	rw [*]	1.0
211B	ARRAY	Signal allocation dig. signals C190	Unsigned16	rw [*]	1.0
FB analog out					
<i>Process data fct. no. 0</i>					
2130	ARRAY	Forced analog output AOUT1...AOUT16	FixedPoint1	rw	3.0
2140	ARRAY	Xo	FixedPoint1	rw [*]	3.0
2141	ARRAY	X100	FixedPoint1	rw [*]	3.0
2142	ARRAY	Mode/Scr A-Out C540	Unsigned16	rw [*]	3.0
FB controller					
<i>Process data fct. no. 0</i>					
2200	ARRAY	Status 1	Unsigned8	ro	1.0
2201	ARRAY	Eff. set-point Weff	FixedPoint1	ro	1.0
2202	ARRAY	Eff. process value Xeff	FixedPoint1	ro	1.0
2203	ARRAY	Effective correcting variable Ypid	FixedPoint1	ro	1.0
2204	ARRAY	Control deviation xw	FixedPoint1	ro	1.0
2205	ARRAY	Automatic/manual switch-over	Unsigned8	rw	1.0

2206	ARRAY	Controller self-tuning start OStart	Unsigned8	rw	1.0
2207	ARRAY	Switch-over Wext/Wint We/i	Unsigned8	rw	1.0
2208	ARRAY	Switch-over W/W2 w/W2	Unsigned8	rw	1.0
2209	ARRAY	Controller on/off Coff	Unsigned8	rw	1.0
Parameter and configuration data fct. no. 0					
220A	ARRAY	Main configuration 1, control C100	Unsigned16	rw*	1.0
220B	ARRAY	Main configuration 2, control C101	Unsigned16	rw*	1.0
220C	ARRAY	Configuration tuning C700	Unsigned16	rw*	1.0
220D	ARRAY	Signal allocation anal. C180	Unsigned16	rw*	1.0C
Process data Fct. no. 1					
2210	ARRAY	Set-point-status WState	Unsigned8	ro	1.0
2211	ARRAY	Effective internal set-point Wint	FixedPoint1	ro	1.0
2212	ARRAY	Int. set-point, non-volatile Wnvol	FixedPoint1	rw	1.0
2213	ARRAY	Int. set-point, volatile Wvol	FixedPoint1	rw	1.0
Parameter and configuration data fct. no. 1					
2214	ARRAY	Lower set-point limit for Weff W0	FixedPoint1	rw	1.0
2215	ARRAY	Upper set-point limit for Weff W100	FixedPoint1	rw	1.0
2216	ARRAY	Additional set-point W2	FixedPoint1	rw	1.0
2217	ARRAY	Set-point gradient plus Grw+	FixedPoint1	rw	1.0
2218	ARRAY	Set-point gradient minus Grw-	FixedPoint1	rw	1.0
2219	ARRAY	Set-point gradient W2 Grw2	FixedPoint1	rw	1.0
221A	ARRAY	Loop-alarm on/off C102	Unsigned 16	rw*	4.0N
Parameter and configuration data fct. no. 2					
2220	ARRAY	Adaption-mode C710	Unsigned16	rw*	4.0N
Parameter and configuration data fct. no. 3					
2230	ARRAY	Neutral zone Xsh	FixedPoint1	rw	1.0C
2231	ARRAY	Min. pulse length Tpuls	FixedPoint1	rw	1.0C
2232	ARRAY	Actuator response time Tm	FixedPoint1	rw	1.0
2233	ARRAY	Signaller switching difference Xsd1	FixedPoint1	rw	1.0
2234	ARRAY	Trigger point separation additional contact LW	FixedPoint1	rw	1.0
2235	ARRAY	Switching difference additional contact Xsd2	FixedPoint1	rw	1.0
2236	ARRAY	Neutral zone Xsh1	FixedPoint1	rw	1.0
2237	ARRAY	Neutral zone Xsh2	FixedPoint1	rw	1.0

Process data fct. no. 4					
2240	ARRAY	Difference correcting variable dYman	FixedPoint1	rw	1.0
2241	ARRAY	Absolute correcting variable Yman	FixedPoint1	rw	1.0
2242	ARRAY	Increm. adjustment of correcting variable Yinc	Unsigned8	rw	1.0
2243	ARRAY	Decrem. adjustment of correcting variable Ydec	Unsigned8	rw	1.0
2244	ARRAY	Speed for increm. and decrem. adjustment of correcting variable Ygrw_is	Unsigned8	rw	1.0
Parameter and configuration data fct. no. 4					
2245	ARRAY	Min. output limiting Ymin	FixedPoint1	rw	1.0
2246	ARRAY	Max. output limiting Ymax	FixedPoint1	rw	1.0
2247	ARRAY	Working point for correcting variable Y0	FixedPoint1	rw	1.0
2248	ARRAY	Max. mean value of correcting variable Yhm	FixedPoint1	rw	1.0
2249	ARRAY	Limit for mean value formation LYh	FixedPoint1	rw	1.0
Process data fct. no. 5					
2250	ARRAY	Status Tuning State_Tune1	Unsigned8	ro	1.0
2251	ARRAY	Eff. additional parameter number ParNeff	Unsigned8	ro	1.0
2252	ARRAY	Additional parameter number effective ParNr	Unsigned8	rw	1.0
2253	ARRAY	Delay time heating Tu1	FixedPoint1	ro	1.0
2254	ARRAY	Rate of increase heating Vmax1	FixedPoint1	ro	1.0
2255	ARRAY	Process gain heating Kp1	FixedPoint1	ro	1.0
2256	ARRAY	Error code of controller self-tuning heating MSG1	Unsigned8	ro	1.0
2257	ARRAY	Delay time cooling Tu2	FixedPoint1	ro	1.0
2258	ARRAY	Rate of increase cooling Vmax	FixedPoint1	ro	1.0
2259	ARRAY	Process gain cooling Kp2	FixedPoint1	ro	1.0
225A	ARRAY	Error code of controller self-tuning cooling MSG2	Unsigned8	ro	1.0
Parameter and configuration data fct. no. 5					
225B	ARRAY	Correcting variable during process at rest YOptm	FixedPoint1	rw	1.0
225C	ARRAY	Step height with identification dYopt	FixedPoint1	rw	1.0
225D	ARRAY	Parameter set to be optimized POpt	Unsigned8	rw	1.0
225E	ARRAY	Hysteresis with parameter switch-over OXsd	FixedPoint1	rw	1.0
225F	ARRAY	Trigger point 1 Trig1	FixedPoint1	rw	1.0
Parameter and configuration data fct. no. 6					
2260	ARRAY	Proportional band 1 Xp1_1	FixedPoint1	rw	1.0
2261	ARRAY	Integral time 1 Tn1_1	FixedPoint1	rw	1.0
2262	ARRAY	Derivative time 1 Tv1_1	FixedPoint1	rw	1.0

2263	ARRAY	Min. cycle time 1 T1_1	FixedPoint1	rw	1.0
2264	ARRAY	Proportional band 2 Xp2_1	FixedPoint1	rw	1.0
2265	ARRAY	Integral time 2 Tn2_1	FixedPoint1	rw	1.0
2266	ARRAY	Derivative time 2 Tv2_1	FixedPoint1	rw	1.0
2267	ARRAY	Min. cycle time 2 T2_1	FixedPoint1	rw	1.0
Parameter and configuration data fct. no. 7					
2270	ARRAY	Proportional band 1 Xp1_2	FixedPoint1	rw	1.0
2271	ARRAY	Integral time 1 Tn1_2	FixedPoint1	rw	1.0
2272	ARRAY	Derivative time 1 Tv1_2	FixedPoint1	rw	1.0
2273	ARRAY	Min. cycle time 1 T1_2	FixedPoint1	rw	1.0
2274	ARRAY	Proportional band 2 Xp2_2	FixedPoint1	rw	1.0
2275	ARRAY	Integral time 2 Tn2_2	FixedPoint1	rw	1.0
2276	ARRAY	Derivative time 2 Tv2_2	FixedPoint1	rw	1.0
2277	ARRAY	Min. cycle time 2 T2_2	FixedPoint1	rw	1.0
Parameter and configuration data fct. no. 10					
22A0	ARRAY	Max. output value Ya	FixedPoint1	rw	1.0
22A1	ARRAY	Start-up set-point Wa	FixedPoint1	rw	1.0
22A2	ARRAY	Start-up holding time TPa	FixedPoint1	rw	1.0
FB alarm					
Process data fct. no. 0					
2300	ARRAY	Alarm status 1 Status_AL1	Unsigned8	ro	1.0
2301	ARRAY	Heating current alarm Status_AL2	Unsigned8	ro	1.0
2302	ARRAY	Heating current measurement value HC	FixedPoint1	ro	1.0
Parameter and configuration data fct. no. 0					
2303	ARRAY	Low limit alarm LimL	FixedPoint1	rw	1.0
2304	ARRAY	High limit alarm LimH	FixedPoint1	rw	1.0
2305	ARRAY	Switching difference high/low alarm xsd_2	FixedPoint1	rw	1.0
2306	ARRAY	Low low limit alarm LimLL	FixedPoint1	rw	1.0
2307	ARRAY	High high limit alarm LimHH	FixedPoint1	rw	1.0
2308	ARRAY	Heating current limit value LimHC	FixedPoint1	rw	1.0
2309	ARRAY	Src: signal source (T,H) C600 Fnc: function (Z)	Unsigned16	rw*	1.0
230A	ARRAY	Alarm target C601	Unsigned16	rw*	1.0
230B	ARRAY	Alarmsource/-function L, C602	Unsigned16	rw*	3.0N
230C	ARRAY	Alarmsource/-function H, C603	Unsigned16	rw*	3.0N
230D	ARRAY	Alarmsource/-function HH, C604	Unsigned16	rw*	3.0N

Column "as from firmware": C = This datum exists already from operating version 1, however, it was subject to change (extension) in the course of development.
N = This datum was added as from the specified operating version.

Index (hex)	Object (symbolic name)	Name	Type	Attribute	as from firmware
FB unit					
<i>Process data fct.no.0</i>					
3001	VAR	Status 1Unit-State1	Unsigned8	ro	1.0
3002	VAR	Basic hardware options HWbas	Unsigned16	ro	1.0
3003	VAR	SW options SWopt	Unsigned16	ro	1.0
3004	VAR	SW code no. SWCode	Unsigned16	ro	1.0
3005	VAR	SW version SWVersion	Unsigned16	ro	1.0
3006	VAR	Operating version OPVers	Unsigned16	ro	1.0
3007	VAR	EEPROM version EEPVers	Unsigned16	ro	1.0
3008	VAR	Configuration mode selection OPMod	Unsigned8	rw	1.0
3009	VAR	Self-tuning stop/start of all group controllers OStartg	Unsigned8	rw	1.0
300A	VAR	Local data change flag reset	Unsigned8	rw	1.0
<i>Parameter and configuration data fct. no. 0</i>					
300B	VAR	Baudrate COM 1 C900	Unsigned16	rw [*]	1.0
300C	VAR	Controller address Adr1	Unsigned16	rw [*]	1.0
300D	VAR	Mains frequency 50/60	Unsigned8	rw [*]	1.0C
300E	VAR	Baudrate COM 2 C900 (CAN baudrate)	Unsigned16	rw [*]	1.0
300F	VAR	Controller address Adr2 (CAN Node ID)	Unsigned16	rw [*]	1.0
3010	VAR	Releasing the cooling function for Water Cooling	FixedPoint1	rw [*]	2.0
3011	VAR	Heating-current reset / quicktest	Unsigned8	rw	4.0
<i>Process data Fct. no. 2</i>					
3020	VAR	Status alarm outputs State_alarm_out	Unsigned8	ro	1.0
3021	VAR	Status dig. inputs/outputs State_dio	Unsigned8	ro	1.0
<i>Parameter and configuration data fct.no. 2</i>					
3022	VAR	Main config. C500	Unsigned16	rw [*]	1.0
3023	VAR	Main config. C530	Unsigned16	rw [*]	1.0
3024	VAR	Allocation HC/leakage current C151	Unsigned16	rw [*]	1.0C
3025	VAR	Heating current cycle Hccycl	Unsigned16	rw [*]	1.0
3026	VAR	Span end for HC input HC 100	FixedPoint1	rw [*]	1.0
3027	VAR	Forced dig. output OUT1...OUT8	Unsigned8	rw [*]	2.1

3028	VAR	Forced dig. output OUT9...OUT16	Unsigned8	rw [*]	2.1
3029	VAR	Forced dig. output OUT17...OUT19	Unsigned8	rw [*]	see name
FB input					
<i>Process data fct. no. 0</i>					
3100	ARRAY	Signal input fail Input_X_Failed	Unsigned8	ro	1.0
3101	ARRAY	Main variable x1	FixedPoint1	ro	1.0
3102	ARRAY	Raw measurement value before meas.val.corr. INP1	FixedPoint1	ro	1.0
<i>Parameter and configuration data fct. no. 1</i>					
3110	ARRAY	Measurement value correction X1 input X1in	FixedPoint1	rw	1.0
3111	ARRAY	Measurement value correction X1 output X1out	FixedPoint1	rw	1.0
3112	ARRAY	Measurement value correction X2 X2in	FixedPoint1	rw	1.0
3113	ARRAY	Measurement value correction X2 X2out	FixedPoint1	rw	1.0
3114	ARRAY	Sensor type (T,H) C200	Unsigned16	rw [*]	1.0
3115	ARRAY	Fail: sensor break (T) C205	Unsigned16	rw [*]	1.0
3116	ARRAY	Phys. value at 0% X0	FixedPoint1	rw [*]	1.0
3117	ARRAY	Phys. value at 100% X100	FixedPoint1	rw [*]	1.0
3118	ARRAY	Substitute value at sensor fail XFail	FixedPoint1	rw [*]	1.0
3119	ARRAY	Filter time const. meas. value processing Tfm	FixedPoint1	rw [*]	1.0
311A	ARRAY	Reference temperature Tkref	FixedPoint1	rw [*]	1.0
311B	ARRAY	Signal allocation dig. signals C190	Unsigned16	rw [*]	1.0
FB analog out					
<i>Process data fct. no. 0</i>					
3130	ARRAY	Forced analog output AOUT1...AOUT8	FixedPoint1	rw	3.0
3140	ARRAY	Xo	FixedPoint1	rw [*]	3.0
3141	ARRAY	X100	FixedPoint1	rw [*]	3.0
3142	ARRAY	Mode/Scr A-Out C540	Unsigned16	rw [*]	3.0
FB controller					
<i>Process data fct. no. 0</i>					
3200	ARRAY	Status 1	Unsigned8	ro	1.0
3201	ARRAY	Eff. set-point Weff	FixedPoint1	ro	1.0
3202	ARRAY	Eff. process value Xeff	FixedPoint1	ro	1.0
3203	ARRAY	Effective correcting variable Ypid	FixedPoint1	ro	1.0
3204	ARRAY	Control deviation xw	FixedPoint1	ro	1.0
3205	ARRAY	Automatic/manual switch-over	Unsigned8	rw	1.0
3206	ARRAY	Controller self-tuning start OStart	Unsigned8	rw	1.0

3207	ARRAY	Switch-over Wext/Wint We/i	Unsigned8	rw	1.0
3208	ARRAY	Switch-over W/W2 w/W2	Unsigned8	rw	1.0
3209	ARRAY	Controller on/off Coff	Unsigned8	rw	1.0
Parameter and configuration data fct. no. 0					
320A	ARRAY	Main configuration 1, control C100	Unsigned16	rw [*]	1.0
320B	ARRAY	Main configuration 2, control C101	Unsigned16	rw [*]	1.0
320C	ARRAY	Configuration tuning C700	Unsigned16	rw [*]	1.0
320D	ARRAY	Signal allocation anal. C180	Unsigned16	rw [*]	1.0C
Process data Fct. no. 1					
3210	ARRAY	Set-point-status WState	Unsigned8	ro	1.0
3211	ARRAY	Effective internal set-point Wint	FixedPoint1	ro	1.0
3212	ARRAY	Int. set-point, non-volatile Wnvol	FixedPoint1	rw	1.0
3213	ARRAY	Int. set-point, volatile Wvol	FixedPoint1	rw	1.0
Parameter and configuration data fct. no. 1					
3214	ARRAY	Lower set-point limit for Weff W0	FixedPoint1	rw	1.0
3215	ARRAY	Upper set-point limit for Weff W100	FixedPoint1	rw	1.0
3216	ARRAY	Additional set-point W2	FixedPoint1	rw	1.0
3217	ARRAY	Set-point gradient plus Grw+	FixedPoint1	rw	1.0
3218	ARRAY	Set-point gradient minus Grw-	FixedPoint1	rw	1.0
3219	ARRAY	Set-point gradient W2 Grw2	FixedPoint1	rw	1.0
321A	ARRAY	Loop-alarm on/off C102	Unsigned 16	rw [*]	4.0N
Parameter and configuration data fct. no. 2					
3220	ARRAY	Adaption-mode C710	Unsigned16	rw [*]	4.0N
Parameter and configuration data fct. no. 3					
3230	ARRAY	Neutral zone Xsh	FixedPoint1	rw	1.0C
3231	ARRAY	Min. pulse length Tpuls	FixedPoint1	rw	1.0C
3232	ARRAY	Actuator response time Tm	FixedPoint1	rw	1.0
3233	ARRAY	Signaller switching difference Xsd1	FixedPoint1	rw	1.0
3234	ARRAY	Trigger point separation additional contact LW	FixedPoint1	rw	1.0
3235	ARRAY	Switching difference additional contact Xsd2	FixedPoint1	rw	1.0
3236	ARRAY	Neutral zone Xsh1	FixedPoint1	rw	1.0
3237	ARRAY	Neutral zone Xsh2	FixedPoint1	rw	1.0

Process data fct. no. 4					
3240	ARRAY	Difference correcting variable dYman	FixedPoint1	rw	1.0
3241	ARRAY	Absolute correcting variable Yman	FixedPoint1	rw	1.0
3242	ARRAY	Increm. adjustment of correcting variable Yinc	Unsigned8	rw	1.0
3243	ARRAY	Decrem. adjustment of correcting variable Ydec	Unsigned8	rw	1.0
3244	ARRAY	Speed for increm. and decrem. adjustment of correcting variable Ygrw_is	Unsigned8	rw	1.0
Parameter and configuration data fct. no. 4					
3245	ARRAY	Min. output limiting Ymin	FixedPoint1	rw	1.0
3246	ARRAY	Max. output limiting Ymax	FixedPoint1	rw	1.0
3247	ARRAY	Working point for correcting variable Y0	FixedPoint1	rw	1.0
3248	ARRAY	Max. mean value of correcting variable Yhm	FixedPoint1	rw	1.0
3249	ARRAY	Limit for mean value formation LYh	FixedPoint1	rw	1.0
Process data fct. no. 5					
3250	ARRAY	Status Tuning State_Tune1	Unsigned8	ro	1.0
3251	ARRAY	Eff. additional parameter number ParNeff	Unsigned8	ro	1.0
3252	ARRAY	Additional parameter number effective ParNr	Unsigned8	rw	1.0
3253	ARRAY	Delay time heating Tu1	FixedPoint1	ro	1.0
3254	ARRAY	Rate of increase heating Vmax1	FixedPoint1	ro	1.0
3255	ARRAY	Process gain heating Kp1	FixedPoint1	ro	1.0
3256	ARRAY	Error code of controller self-tuning heating MSG1	Unsigned8	ro	1.0
3257	ARRAY	Delay time cooling Tu2	FixedPoint1	ro	1.0
3258	ARRAY	Rate of increase cooling Vmax	FixedPoint1	ro	1.0
3259	ARRAY	Process gain cooling Kp2	FixedPoint1	ro	1.0
325A	ARRAY	Error code of controller self-tuning cooling MSG2	Unsigned8	ro	1.0
Parameter and configuration data fct. no. 5					
325B	ARRAY	Correcting variable during process at rest YOptm	FixedPoint1	rw	1.0
325C	ARRAY	Step height with identification dYopt	FixedPoint1	rw	1.0
325D	ARRAY	Parameter set to be optimized POpt	Unsigned8	rw	1.0
325E	ARRAY	Hysteresis with parameter switch-over OXsd	FixedPoint1	rw	1.0
325F	ARRAY	Trigger point 1 Trig1	FixedPoint1	rw	1.0
Parameter and configuration data fct. no. 6					
3260	ARRAY	Proportional band 1 Xp1_1	FixedPoint1	rw	1.0
3261	ARRAY	Integral time 1 Tn1_1	FixedPoint1	rw	1.0
3262	ARRAY	Derivative time 1 Tv1_1	FixedPoint1	rw	1.0

3263	ARRAY	Min. cycle time 1 T1_1	FixedPoint1	rw	1.0
3264	ARRAY	Proportional band 2 Xp2_1	FixedPoint1	rw	1.0
3265	ARRAY	Integral time 2 Tn2_1	FixedPoint1	rw	1.0
3266	ARRAY	Derivative time 2 Tv2_1	FixedPoint1	rw	1.0
3267	ARRAY	Min. cycle time 2 T2_1	FixedPoint1	rw	1.0
Parameter and configuration data fct. no. 7					
3270	ARRAY	Proportional band 1 Xp1_2	FixedPoint1	rw	1.0
3271	ARRAY	Integral time 1 Tn1_2	FixedPoint1	rw	1.0
3272	ARRAY	Derivative time 1 Tv1_2	FixedPoint1	rw	1.0
3273	ARRAY	Min. cycle time 1 T1_2	FixedPoint1	rw	1.0
3274	ARRAY	Proportional band 2 Xp2_2	FixedPoint1	rw	1.0
3275	ARRAY	Integral time 2 Tn2_2	FixedPoint1	rw	1.0
3276	ARRAY	Derivative time 2 Tv2_2	FixedPoint1	rw	1.0
3277	ARRAY	Min. cycle time 2 T2_2	FixedPoint1	rw	1.0
Parameter and configuration data fct. no. 10					
32A0	ARRAY	Max. output value Ya	FixedPoint1	rw	1.0
32A1	ARRAY	Start-up set-point Wa	FixedPoint1	rw	1.0
32A2	ARRAY	Start-up holding time TPa	FixedPoint1	rw	1.0
FB alarm					
Process data fct. no. 0					
3300	ARRAY	Alarm status 1 Status_AL1	Unsigned8	ro	1.0
3301	ARRAY	Heating current alarm Status_AL2	Unsigned8	ro	1.0
3302	ARRAY	Heating current measurement value HC	FixedPoint1	ro	1.0
Parameter and configuration data fct. no. 0					
3303	ARRAY	Low limit alarm LimL	FixedPoint1	rw	1.0
3304	ARRAY	High limit alarm LimH	FixedPoint1	rw	1.0
3305	ARRAY	Switching difference high/low alarm xsd_2	FixedPoint1	rw	1.0
3306	ARRAY	Low low limit alarm LimLL	FixedPoint1	rw	1.0
3307	ARRAY	High high limit alarm LimHH	FixedPoint1	rw	1.0
3308	ARRAY	Heating current limit value LimHC	FixedPoint1	rw	1.0
3309	ARRAY	Src: signal source (T,H) C600 Fnc: function (Z)	Unsigned16	rw [*]	1.0
330A	ARRAY	Alarm target C601	Unsigned16	rw [*]	1.0
330B	ARRAY	Alarmsource/-function L, C602	Unsigned16	rw [*]	3.0N
330C	ARRAY	Alarmsource/-function H, C603	Unsigned16	rw [*]	3.0N
330D	ARRAY	Alarmsource/-function HH, C604	Unsigned16	rw [*]	3.0N

9 Configuration and parameter setting via the CAN bus

The following versions are of importance only in case of KS 800 configuration and parameter setting via the CAN bus. Normally, the engineering tool is used for this purpose, whereby mutual configuration data checking and correct order of data during download are already taken into account.

The order in which the data must be sent to KS 800 for correct configuration and parameter setting is specified in the list given below. This ensures that values which affect each other mutually get a suitable content, e.g. a change of the sensor type resets the setpoint limits W0 and W100 to the default values (physical measurement limits of the relevant sensor type). By setting set-point limits W0 = 50°C and W100 = 350°C first followed by determination of thermocouple type K, the set-point limits would be reset to W0 = 0°C and W100 = 1350°C.

Moreover, note that a defined order of transmission must be met with parameters par_w0 and par_w100, or par_ymin and par_ymax., because these two value pairs are checked for plausibility. The higher value must always be sent first.

If values are set to par_w0 = 100°C and par_w100 = 150°C (set-point adjustment limit between 100 and 150°C) and must be changed into par_w0 = 160°C, or par_w100 = 200°C, the data cannot be sent in the order specified below (par_w0 at first followed by par_w100), because the new lower set-point limit of 160°C is higher than the old upper limit (150°C). In this case, increase the new upper limit (par_w100) to 200°C first and change the lower limit to the new value subsequently.

9.1 Configuring KS 800 via CAN bus interface:

The specifications described in paragraphs 9.1 to 9.3 need not be taken into account when using the engineering tool, because they are taken into account automatically, or in the menus.

1. Switch the instrument to off-line
2. Send the configuration data (in correct order)
3. Switch the instrument to on-line (the channels operate with the old parameter values)
4. Send parameter data (they are taken over during operation)

9.1.1 Saving the non-volatile set-point

Two set-point saving methods can be used by KS 800:

1: The volatile set-point is saved in RAM. The controller uses the value saved in this memory during normal control operation.

2: The non-volatile set-point is saved in EEPROM. This set-point is used as "start set-point" after initialization (power on, or new configuration) by the controllers. It is copied into the RAM and used as "working" set-point, until the RAM set-point is overwritten by a PLC.

When changing the non-volatile set-point (EEPROM) in the course of reconfiguration, writing into EEPROM (saving) is done only "at the relevant controller's turn". This can take max. 2 instrument cycles (~1,2s). During the time from the end of writing into RAM until restarting the instrument, the RAM data are used. Before saving the data in EEPROM, the instrument must not be switched to "on-line", because some new data may be still unsaved in EEPROM, i.e. the old (set-) values are used again after reinitialization, or after restart.

9.2 Data plausibility check during transmission

Caution!

The configuration data are not checked by the instrument. (This check is done only in the engineering tool.)

The parameter data are checked for their limits.

9.3 Table of allocation of firmware version, operating version, series number and engineering tool.

Date	Series-number	Firmware version	Operat. version	E-Tool-version
3.8.97	8330	1.0	1	1.0
10.9.97	8334	1.1	1	1.1
28.10.97	8335	1.2	1	1.1
16.12.97	8337	1.3	1	1.1
8.4.98	8341	1.3	1	1.3
11.5.98	8341	1.3	1	1.3
23.9.99	8358	2.0	2	1.4
15.12.99	8361	2.1	2	2.0
7.3.00	8363	2.1	2	3.0SR1
7.3.00	8363	2.2	2	3.0SR1
7.3.00	8364	2.3	3	3.1SR1
10.7.00	8366	2.4	3	3.1SR1
30.3.01	8376	2.5	4	3.2SR3
13.11.01	8384	3.0	5	3.4SR1
19.8.02	8393	4.0	6	1.4SR1 (BlueControl)

9.4 Order of data for configuration and parameter setting

Column "Function" gives the configuration data the signification of which is described in detail in description manual 9499 040 49218.

The digits behind the _(underscore) indicate the digits used in the configuration word.

16	15	14	13	12	11	10	9	8	7	6	5	4	3	2	1
Digit 4				Digit 3				Digit 2				Digit 1			

Column "Introduction" gives the operating version in which a configuration datum was introduced. New configuration data are marked with "from OV x" and extensions are marked with "add. from OV x"

Instrument configuration

<i>CAN Index</i>	<i>Function</i>	<i>Introd.</i>	<i>CAN Index</i>	<i>Function</i>	<i>Introd.</i>
200B	c900_32	BV 1	2115	c205_432	BV 1
200C	c901_4321	BV 1	211B	c190_21	BV 1
200D	c904_4	BV 1	2116	c201_4321	BV 1
	c904_1	zus. ab BV ≥ 2	2117	c202_4321	BV 1
	c904_32	zus. ab BV ≥ 5			
200E	c902_32	BV1	2118	c213_4321	BV 1
200F	c903_4321	BV1	2119	c214_4321	BV 1
2026	c302_4321	BV1	211A	c210_4321	BV 1
2022	c500_4321	BV 1	2309	c600_4321	BV 1
2023	c530_432	BV 1	230A	c601_4321	BV 1
2024	c151_432	BV 1	230B	c602_4321	ab BV ≥ 6
	c151_1	zus. ab BV ≥ 3	230C	c603_4321	ab BV ≥ 6
2025	c150_4321	BV 1	230D	c604_4321	ab BV ≥ 6

Channel configuration

220A	c100_4321	BV 1	2140	x0	ab BV ≥ 5
220B	c101_4321	BV 1	2141	x100	ab BV ≥ 5
220C	c700_4321	BV 1	2142	c540_31	ab BV ≥ 5
220D	c180_3	BV 1			
	c180_4	zus. ab BV ≥ 5			
221A	c102_1	ab BV ≥ 6			
2220	c710_21	ab BV ≥ 6			
2114	c200_432	BV 1			

Instrument parameters

2010 par_wk_enable ab BV ≥ 2

Channel parameters

2214	par_w0	BV 1	2262	par_tv1_0	BV 1
2215	par_w100	BV 1	2263	par_t1_0	BV 1
2216	par_w2	BV 1	2264	par_xp2_0	BV 1
2217	par_grwp	BV 1	2265	par_tn2_0	BV 1
2218	par_grwm	BV 1	2266	par_tv2_0	BV 1
2219	par_grw2	BV 1	2267	par_t2_0	BV 1
2230	par_xsh	BV 1	2270	par_xp1_1	BV 1
(2230	par_xsh_wk)	BV 1	2271	par_tn1_1	BV 1
2231	par_tpuls	BV 1	2272	par_tv1_1	BV 1
(2231	par_tpuls_wk)	BV 1	2273	par_t1_1	BV 1
2232	par_tm	BV 1	2274	par_xp2_1	BV 1
2233	par_xsd1	BV 1	2275	par_tn2_1	BV 1
2234	par_lw	BV 1	2276	par_tv2_1	BV 1
2235	par_xsd2	BV 1	2277	par_t2_1	BV 1
2236	par_xsh1	BV 1	22A0	par_ya	BV 1
2237	par_xsh2	BV 1	22A1	par_wa	BV 1
2245	par_ymin	BV 1	22A2	par_tpa	BV 1
2246	par_ymax	BV 1	2110	par_x1in	BV 1
2247	par_y0	BV 1	2111	par_x1out	BV 1
2248	par_yh	BV 1	2112	par_x2in	BV 1
2249	par_lyh	BV 1	2113	par_x2out	BV 1
225B	par_yoptm	BV 1	2303	par_lim_l	BV 1
225C	par_dyopt	BV 1	2304	par_lim_h	BV 1
225E	par_oxsd	BV 1	2305	par_lim_xsd	BV 1
225F	par_trig1	BV 1	2306	par_lim_ll	BV 1
225D	par_popt	BV 1	2307	par_lim_hh	BV 1
2260	par_xp1_0	BV 1	2308	par_lim_hc	BV 1
2261	par_tn1_0	BV 1			

Subsequently, the process datas can be read and written in any order.

When using water cooling, parameters 2230 and 2231 with extension _wk are applicable.

10 Application example

10.1 KS800 standard settings

KS800 is factory-set to the default parameters given in the controller description. As a heating/cooling controller is required for the example and a H controller is adjusted as standard, alteration via SDOs is required.

10.2 Adjusting a heating/cooling controller

Adjusting a standard controller (only heating) as a heating/cooling controller and reading the process value cyclically (via SDOs) are done as described below.

As only channel 1 is required, the subindex for the channel number must be set to "1".

- Set configuration to offline
 - **Index 0x2008** (OPMod=0)
Reference: process data, individual code 31
- Set main controller configuration C100=0x0300 (H/C controller)
 - **Index 0x200A**
Reference: C100 controller description
- Set main configuration C200=0x2010 (PT100, unit: C)
 - **Index 0x2114**
Reference: C200 - controller description
- Set configuration to online
 - **Index 0x2008** (OPMod=1)
Reference: process data, individual code 31
- Set set-point Weff
 - **Index 0x2313** (Weff=250)
- Set controller to AUTO
 - **Index 0x2205** (A/H=0)
Reference: controller, individual code 33

Loop for actual process values:

```
for(;;)
{
  - Read effective process value channel 1
  → Index 0x2202
  - wait( 1sec)
}
```


10.3 Adjusting a H/C controller and activating the self-tuning

Adjusting a standard controller (H) as a H/C controller via SDOs, starting the self-tuning and reading the actual process values (via SDOs) are done as described below.

As only channel 1 is required, the subindex for the channel number must be set to "1".

- Set configuration to offline
 - **Index 0x2008** (OPMod=0)
Reference: process data, individual code 31
- Set main controller configuration C100=0x0300 (H/C controller)
 - **Index 0x200A**
Reference: C100 - controller description
- Set main configuration C200=0x2010 (PT100, unit: C)
 - **Index 0x2114**
Reference: C200 - controller description
- Set configuration to online
 - **Index 0x2008** (OPMod=1)
Reference: process data, individual code 31
- Set set-point Weff
 - **Index 0x2313** (Weff=250)
- Start self-tuning
 - **Index 0x2206** (OStart=1)
Reference: controller, individual code 34
- Read optimization status
 - **Index 0x2250** (State_Tune_1)
Reference: controller, individual code 1
- for(State_Tune_1[Orun] == 1)
 - {
 - still active, read optimization status
 - **Index 0x2250** (State_Tune_1)
Reference: controller, individual code 1
 - }
- if(State_Tune1[Oerr == 0])
 - {
 - continue controlling, because optimization successful
 - loop for process values:
 - for(;;)
 - {
 - read effective process value channel 1
 - **Index 0x2202**
 - wait(1sec)
 - }
 - }

```
else
{
  /* possible error message: no set-point reserve → increase Weff */
  - read error message heating
    → Index 0x3256 (MSG1)
      Reference: controller, individual code 35

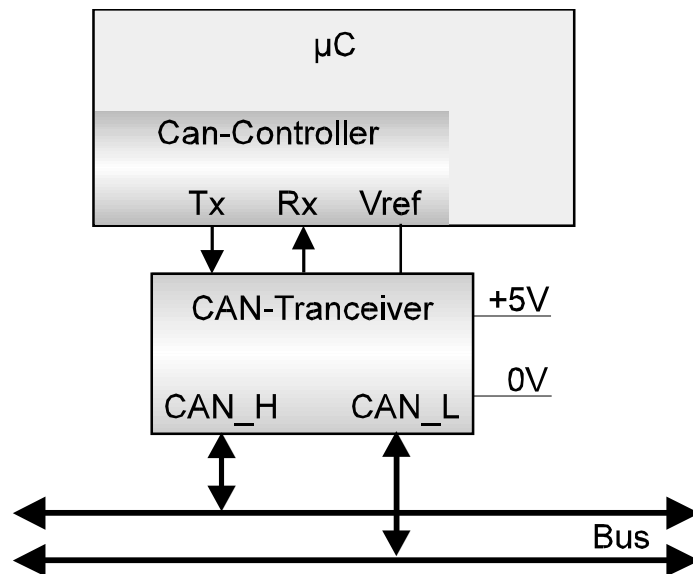
  - read error message cooling
    → Index 0x325A (MSG1)
      Reference: controller, individual code 39
}
```

11 CAN Physical Layer

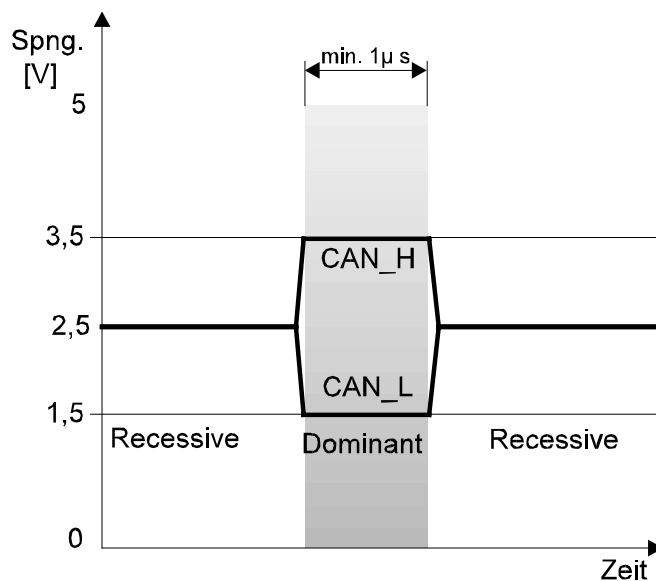
Related to the CAN Physical Layer, there are a number of standards. The most important standard for general applications is the "CAN High-Speed Standard ISO 11898-2". The recommendations given below are based primarily on this standard and are valid independent of the used CAN protocol (CANopen / DeviceNet).

11.1 ISO 11898-2 nodes:

A node compliant with ISO 11898-2 comprises an μC with CAN controller (which may or may not be integrated), which is connected with a CAN transceiver via Rx and Tx line. The transceiver is connected to the differential CAN-H and CAN-L lines at the CAN bus. With KS800, this (transceiver) connection is galvanically isolated.



With CAN bus, the nominal CAN bus levels are described as Recessive (nominal voltage 2,5V for CAN-H and CAN-L) and Dominant (nominal 3,5V for CAN-H and 1,5V for CAN-L).



11.2 Bit rates and bus lengths:

The maximum useful bus length in a CAN network is determined by a variety of physical effects, in particular:

- The delay time of the connected bus nodes (with/without opto-couplers) and the delay time of the bus cable (propagation delays),
- various scanning times within a CAN bit cell due to the oscillator tolerances of bus nodes,
- signal amplitude attenuation due to the DC resistance of the bus cable and the input resistances of bus nodes.

When using ISO 11898-2-compliant transceivers, the bus mentioned below can be reached with standard bus cables.

Nevertheless, the bus lengths may be considerably shorter with the high bit rates (1 Mbit / 800 kbit) due to the number/speed of any opto-couplers (galvanic isolation)!

11.3 Practical bus lengths

CAN-Profil(s)	Baud-rate	Bus-length	Nominal Bit-Time
CANopen	1 MBd	30 m	1 μ s
CANopen	800 kBd	50 m	1,25 μ s
CANopen/DeviceNet	500 kBd	100 m	2 μ s
CANopen/DeviceNet	250 kBd	200 m	4 μ s
CANopen/DeviceNet	125 kBd	500 m	8 μ s
CANopen	50 kBd	1000 m ^{*)}	20 μ s
CANopen	20 kBd	2500 m ^{*)}	50 μ s
CANopen	10 kBd	5000 m ^{*)}	100 μ s

^{*)} With very long cables, using galvanic isolation and repeaters is indispensable.

For further information on bus lengths, see also standards CiA _DS-102_ (CANopen) or ODVA _DeviceNet Specifications Volume I, Release 2.0_, in particular, Appendix A and B.

11.4 Cable parameters

ISO 11898-2 defines some DC or AC parameters for the cables which can be used in CAN bus networks (typically, pairwise twisted cables with defined electrical properties are used). The important AC parameters are 120 Ohm cable impedance and a nominal _propagation delay_ of 5 ns/m ! Recommendations for the bus cables and terminating resistors are given in the following table:

Bus-length	Bus-cabel (Z: 120 Ohm, tp: 5ns/m)		Terminating-resistance	Max. Bit-rate
	Spec. resistance	Cabel-size		
0 ..40 m	70 mOhm/m	0,25mm ² , 0,34mm ² AWG 23, AWG 22	124 Ohm, 1%	1 MBd @ 40m
40 m .. 300 m	<60 mOhm/m	0,34mm ² , 0,6mm ² AWG 22, AWG 20	127 Ohm, 1% *)	> 500 kBd @ 100m
300 m .. 600 m	<40 mOhm/m	0,5mm ² , 0,6mm ² AWG 20	127 Ohm, 1% *)	> 100 kBd @ 500m
600 m ..1 km	<26 mOhm/m	0,75mm ² , 0,8mm ² AWG 18	127 Ohm, 1% *)	> 50 kBd @ 1 km

*) With very long cables, a higher value for the terminating resistor (150 .. 300 Ohm) is useful for reducing the attenuation.

Further recommendations for CAN networks (especially large ones):

- Galvanic isolation is necessary with very long bus cables (e.g. 400m).
- A separate ground line is purposeful.
- The voltage drop (potential difference) between the transceiver ground potentials should be low (smaller than 2 V, supply voltage from power supply in the middle of the cable).
- The total input resistance of bus nodes should be > 500 Ohm.
- Any tap lines should be as short as possible to prevent/reduce reflections, e.g. 6m @ 500kbit (DeviceNet). < 1 m with higher bit rates !

For further information, refer to ODVA (DeviceNet), CiA (CANopen), various chip manufacturers and Internet.

