

KS 98- 2 Multi-Function Controller for Inline-Blending

Achieve the perfect mix of different materials with the NEW KS 98-2 Multi-Function Controller, the ideal solution for inline blending. Many industries such as oil and gas, chemical and pharmaceutical, food and beverage, and animal feed benefit from the KS 98-2's reliable modular automation system. Measure, control, calculate and record with this single device for complete control.

Implementation

The KS 98-2 utilizes a set value to blend various materials through ratio control. When a disturbance in the flow occurs, the KS 98-2 has capability to adjust accordingly. It is critical to have a system that reacts to this disturbance. Otherwise, an incorrect mixture of materials could ruin the final product, and wreak havoc for the customer.

The KS 98- 2 multi-function controller was designed with flexible hardware, programmable functionality and a customizable user interface to simplify automation in process control applications. This device benefits from having a fully modular I/O structure to compile analog and digital inputs and outputs for the application. Ethernet connectivity allows full remote visibility of the lines and required data from the processes.

The total filling quantity can be defined by a maximum flow value for the master line. The KS 98- 2 uses the master line and the rate of change together to determine the exact flow quantities for each "slave" line. This ensures that a precise quantity of each "ingredient" is blended to create the intended final product. Valves can sometimes get clogged partially or completely, or can fail to close properly due to contamination. If malfunctions such as this occur in the master line, rate of change in the slave lines must be adjusted to ensure quality of the final product.

Malfunctions in valves can be detected within the KS 98- 2 by using sensors with feedback loops to indicate if valves exceed 95% (completely open) or fall short of 5% (completely closed). Valve positions are displayed and alarms triggered for quicker response and rectification of the issue in addition to minimizing waste.

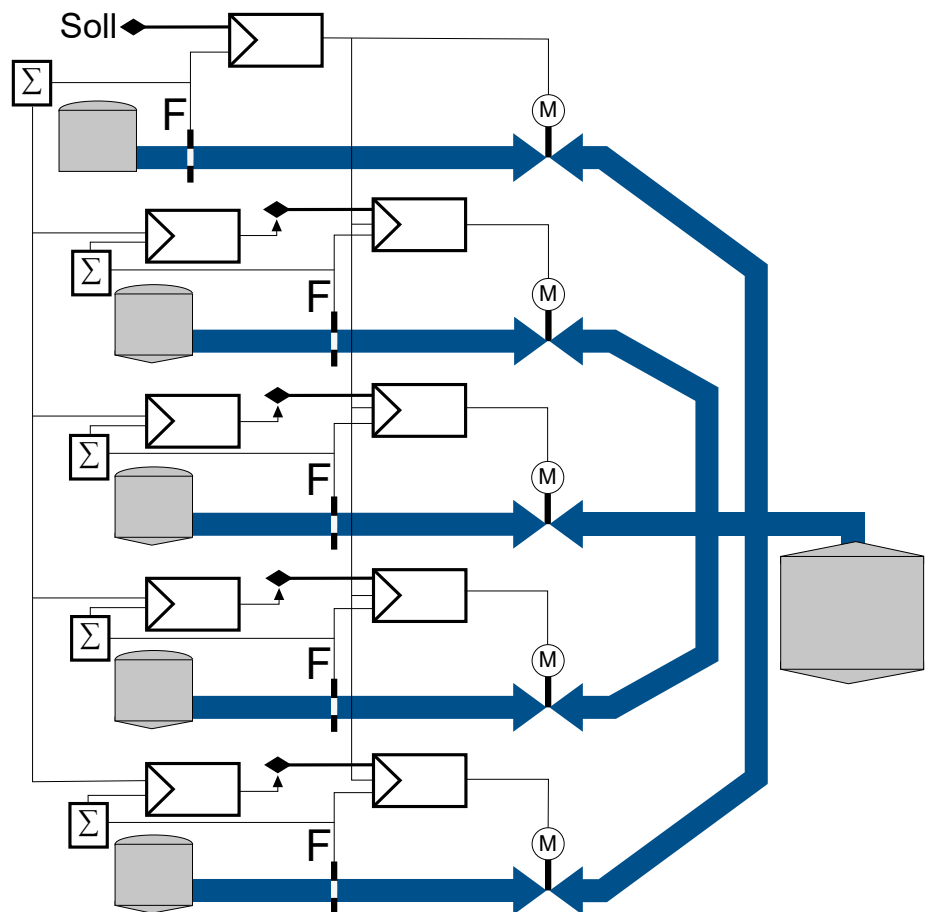


Fig 1: Typical Inline blending application

Configuration

The KS 98- 2 has a bright, full-graphic, colored operating screen to display process values, define the sequence controller and handle recipes. A standard USB cable is required to connect to and program the device. It is a quick and easy process to program the KS 98- 2 multi- function controller. As a result, faster development times are reached.

Unlimited Versatility

The KS98-2 is equipped with a predefined library of function blocks that enables the controller to quickly and effectively develop a configuration that is custom to the application. Functions such as 6-line text display, trend display, and bar graphs allows the user interface to be customizable to the application as well.

The KS 98-2 is a quick and effective solution for multi-function controlling in inline blending applications and combines multi- loop control, sophisticated process control, ratio control and complete automation of small or large applications in one unit.

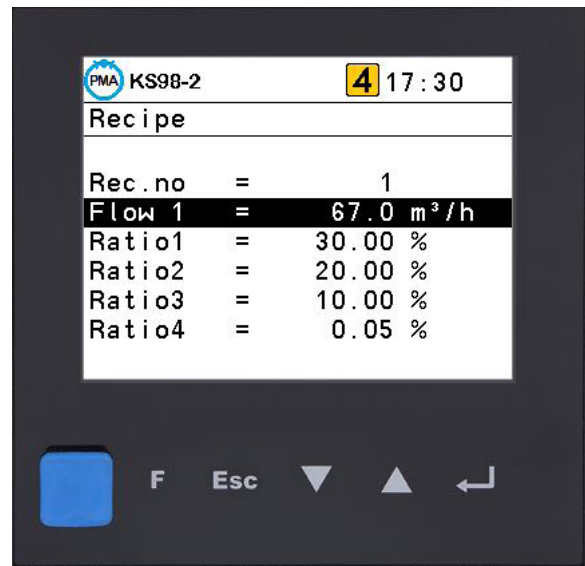


Fig 2: Recipe handling

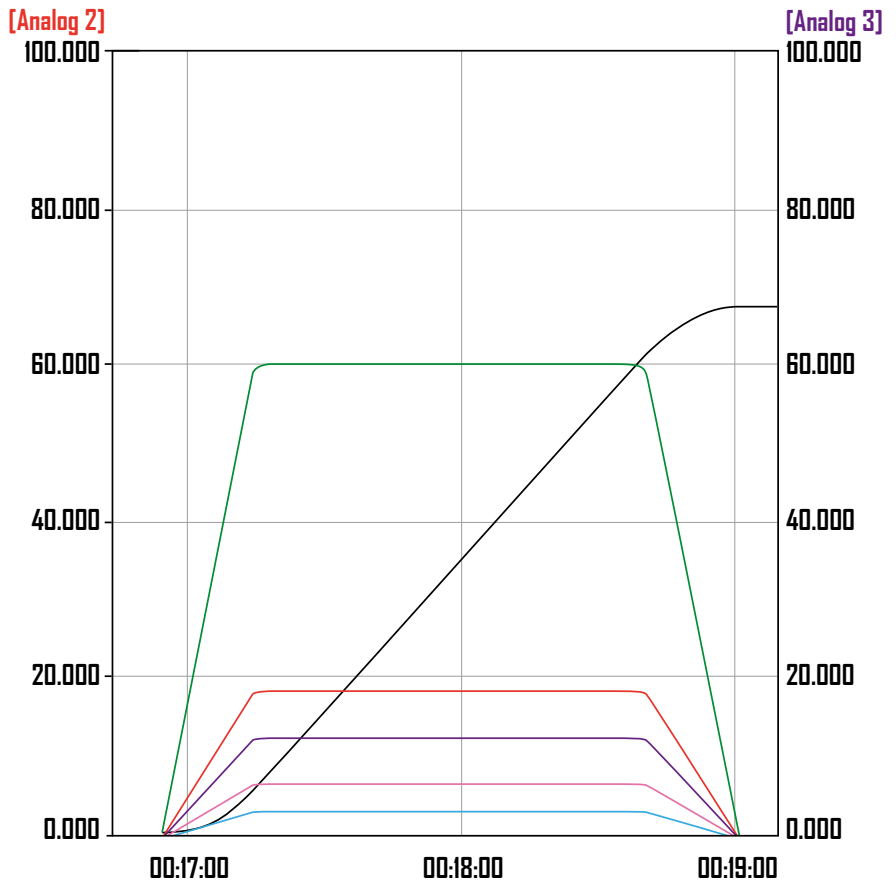


Fig 3: Simulated sequence of the batching function

Contact



E-Mail: inquiries@west-cs.com
Website: www.west-cs.com



Address: 1675 Delany Road
 Gurnee
 IL 60031
 USA



Telephone: +1 800 866 6659
Fax: +1 847 782 5223